

DS5B(A,X) Series

Air Conditioners

1.0 – 5.0 Ton Capacity - 60 Cycle 12,000 - 57,000 Btuh

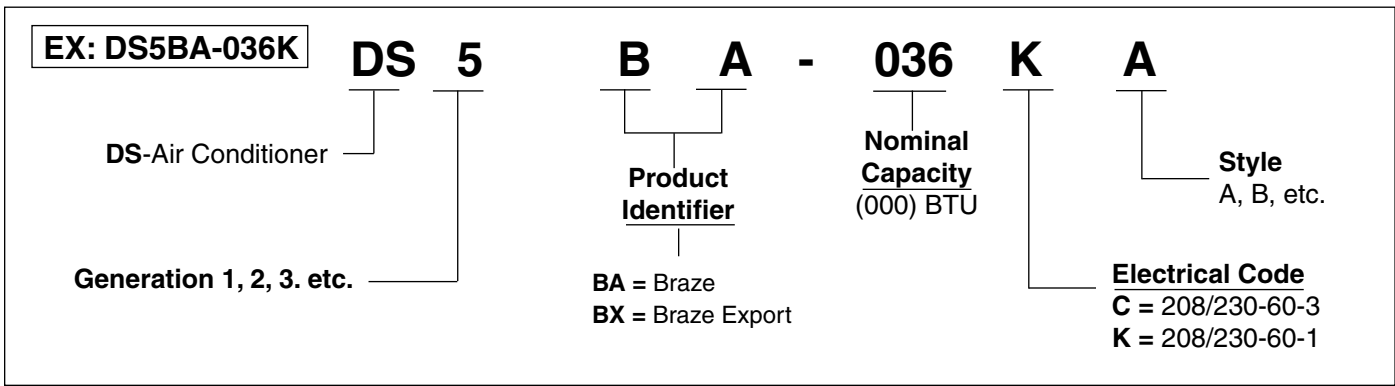
The DS5B(A,X) Series of air conditioners offer exceptional performance from a small, compact package. The units, when combined with our engineered coils or air handlers, offers a full line of quality, split system cooling equipment. Units are ideally sized for slab or rooftop mounting in single, multifamily, and light commercial applications.



FEATURES and BENEFITS

- **Durable, Attractive Cabinet:** Designed using galvanized steel. The 1.5 mil thick finish resists corrosion 50% better than comparable units.
- **Copper Tube / Aluminum Fin Coils:** Both indoor and outdoor coils are designed to optimize heat transfer, minimize size and cost, and increase durability and reliability.
- **Permanently Lubricated Motor:** A heavy duty PSC motor for long lasting reliability and quiet operation. Requires no maintenance and is completely protected from rain and snow.
- **Full Service Valves:** These brass valves are easily accessible and simplify servicing of the refrigeration system.
- **Complete Metal Wrapper:** Protects the units coil from being damaged.
- **Common Suction Service Port:** This port allows the contractor or read the suction pressure in all modes of operation without removing any panels, saving time and increasing serviceability.
- **Removable Top Grille Assembly:** Allows ease of service from the top without disconnecting fan motor leads.
- **One Piece Top/Orifice:** Designed for maximum airflow and quiet operation.
- **Composite Base Pan:** Absorbs sound and is corrosion resistant. Composite is also stronger and lighter than steel.
- **Easy Compressor and Control Access:** Designed to make servicing easier for the contractor, access panels are provided to all controls and the compressor from the side of the unit.

MODEL IDENTIFICATION CODES - DS5B(A,X)

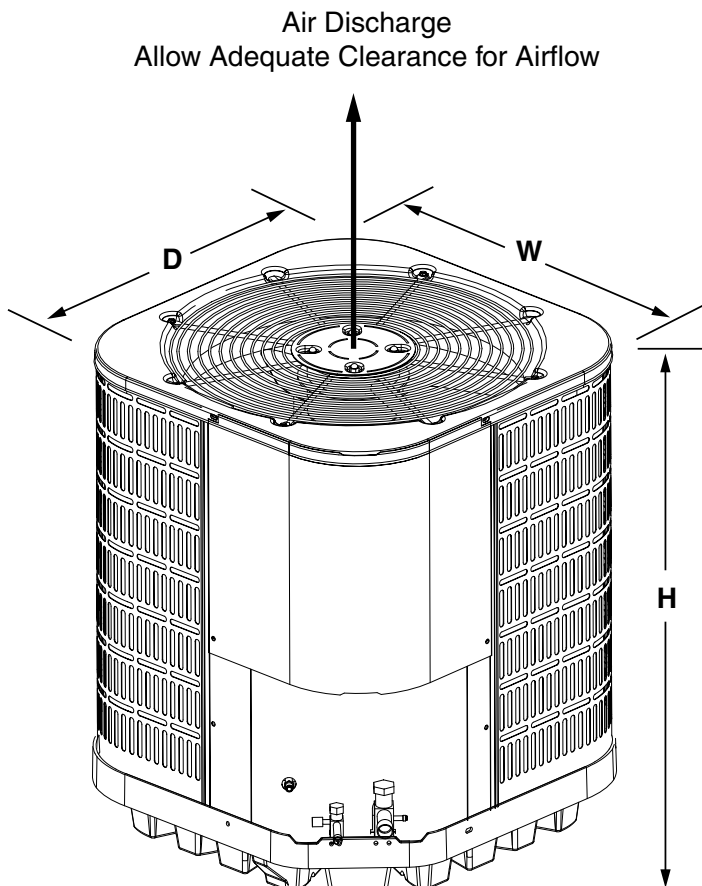


DIMENSIONS

AIR CONDITIONER OUTDOOR SECTION

DS5BA-	012K	018K	024K	030K	036K/C	042K	048K/C	X-060K*	060CB	060KA	060CC
H	23	23	23	23	23	31	39	27	27	34-1/2	34-1/2
W	22-3/4	22-3/4	22-3/4	22-3/4	22-3/4	22-3/4	22-3/4	30-3/4	30-3/4	30-3/4	30-3/4
D	22-3/4	22-3/4	22-3/4	22-3/4	22-3/4	22-3/4	22-3/4	30-3/4	30-3/4	30-3/4	30-3/4

*Only available as DS5BX



PHYSICAL AND ELECTRICAL SPECIFICATIONS / OUTDOOR UNITS

Air Conditioners — Single Phase

Model No. DS5BA-		012K	018K	024K	030K	036K	042K	048K	X-060K*	060KA	
Electrical Data	Volts-Cycles-Phase (1)	208/230-60-1	208/230-60-1	208/230-60-1	208/230-60-1	208/230-60-1	208/230-60-1	208/230-60-1	208/230-60-1	208/230-60-1	
	Total Amps	5.0	9.2	10.5	14.8	15.9	18.1	19.6	25.1	33.5	
	Delay Fuse Max. (2)	10	15	20	30	30	35	40	60	70	
	Min. Circuit Ampacity	6.1	11.4	12.9	18.2	19.7	22.4	24.2	35.9	41.5	
Component Data	Coil	Area	8.3	8.3	8.3	8.3	8.3	11.5	13.2	15.3	20.3
		Rows-FPI	1-14	1-14	1-14	1-18	1-22	1-20	1-18	1-16	1-22
		Tube Dia.	3/8 O.D.	3/8 O.D.	3/8 O.D.	3/8 O.D.	3/8 O.D.	3/8 O.D.	3/8 O.D.	3/8 O.D.	3/8 O.D.
	Fan Motor	Type	PSC	PSC	PSC	PSC	PSC	PSC	PSC	PSC	PSC
		Amps	0.34	0.67	0.67	1.13	1.13	1.13	1.4	1.4	1.4
		HP	1/20	1/10	1/10	1/8	1/8	1/8	1/4	1/4	1/4
	Fan Blade	Dia.-#Blades	18 in. - 3	18 in. - 3	18 in. - 3	18 in. - 3	18 in. - 3	18 in. - 3	18 in. - 4	24 in. - 3	24 in. - 3
		SCFM	2100	2100	2100	2500	2500	2500	3000	3300	3400
	Compressor Data†	RLA	4.7	8.6	9.8	13.7	14.8	17.0	21.8	27.8	32.1
		LRA	24	49	56	75	96	105	131	135	148
Refrigerant Suction Line-Length/O.D. (Liq. Line All Lengths - 3/8" O.D.)	0-24 ft.	5/8" (3)	5/8" (3)	5/8" (3)	3/4"	3/4"	3/4"	7/8"	7/8"	7/8"	
	25-39 ft.	5/8" (3)	5/8" (3)	3/4"	3/4"	3/4"	7/8" (4)	7/8"	1-1/8" (5)	1-1/8" (5)	
	40-75 ft.	3/4"	3/4"	3/4"	3/4"	7/8" (4)	7/8" (4)	7/8"	1-1/8" (5)	1-1/8" (5)	
Refrigerant Charge†† (Outdoor unit, Indoor Unit R-22 Ounces 15' Line Set)		63	63	64	68	69	87	115	125	163	
Weight Approximate (lbs.)	Net	116	116	118	124	128	133	166	194	183	
	Ship	122	122	124	130	134	140	162	206	198	

*Model No. DS5BX

†† Units shipped from factory with nitrogen holding charge.

Air Conditioners — Three Phase

Model Number DS5BA-		036C	048C	060CB	060CC	
Electrical Data	Volts-Cycles-Phase (1)	208/230-60-3	208/230-60-3	208/230-60-3	208/230-60-3	
	Total Amps	11.3	14.2	20.6	20.7	
	Delay Fuse Max. (2)	20	30	40	40	
	Min. Circuit Ampacity	13.9	17.4	25.4	25.5	
Component Data	Coil	Area	8.3	13.2	15.3	20.3
		Rows-FPI	1-22	1-18	1-22	1-22
		Tube Dia.	3/8 O.D.	3/8 O.D.	3/8 O.D.	3/8 O.D.
	Fan Motor	Type	PSC	PSC	PSC	PSC
		Amps	1.13	1.4	1.4	1.4
		HP	1/8	1/4	1/4	1/4
	Fan Blade	Dia.-#Blades	18 in. - 3	18 in. - 4	24 in. - 3	24 in. - 3
		SCFM	2500	3000	4000	3400
	Compressor Data†	RLA	10.2	12.8	19.0	19.3
		LRA	75	91	130	123
Refrigerant Suction Line-Length/O.D. (Liq. Line All Lengths - 3/8" O.D.)	0-24 ft.	3/4"	7/8"	7/8"	7/8"	
	25-39 ft.	3/4"	7/8"	1-1/8" (5)	1-1/8" (5)	
	40-75 ft.	7/8" (4)	7/8"	1-1/8" (5)	1-1/8" (5)	
Refrigerant Charge (Outdoor unit, Indoor Unit R-22 Ounces 15' Line Set)		69	115	114	163	
Weight Approximate (lbs.)	Net	128	166	190	183	
	Ship	134	178	202	198	

† Values shown are most severe and may vary slightly depending on the make of the compressor supplied.

†† Units shipped from factory with nitrogen holding charge.

- (1) Operating Voltage Range: 198v min. — 253v max.
- (2) HACR Type Circuit Breakers or Time Delay Fuse
- (3) Requires 3/4" to 5/8" reducer from unit to line.
- (4) Requires 7/8" to 3/4" reducer from line to unit.
- (5) Requires 7/8" to 1-1/8" reducer from line to unit.

Note:

Model DS5BA-012KB

Refrigerant Tubing Limitations for Units Equipped with Panasonic Rotary Compressors-The compressor manufacturer imposes a maximum equivalent line set length of 100ft. Furthermore, vertical elevation shall not exceed 50 ft.

COPPER WIRE SIZE — AWG (1% Voltage Drop)				
Supply Wire Length-Feet				Supply Circuit
200	150	100	50	Ampacity
6	8	10	14	15
4	6	8	12	20
4	6	8	10	25
4	4	6	10	30
3	4	6	8	35
3	4	6	8	40
2	3	4	6	45
2	3	4	6	50

Wire Size based on N.E.C. for 60° type copper conductors.

SYSTEM COOLING & HEATING CAPACITIES

Air Conditioners:

Outdoor Unit Model Number DS5BA-	Indoor Air Handler B5BX-	Cooling Capacity Btuh	SCFM	Required Orifice Size	SEER	EER
012K	018/024K-A	12,000	450	.040	NR†	NR†
018K	018/024K-A	18,000	675	.051	10	9.5
024K	018/024K-A	23,000	900	.060	10	9.5
030K	030/036K-A	28,600	1125	.063	10	9.5
036(C,K)	030/036K-A	34,600	1200	.067	10	9.5
042K	042/048K-B	40,000	1400	.075	10	9.5
048(C,K)	042/048K-B	46,000	1600	.080	10	9.5
X-060K*	060K-B	56,500	1800	.093	NR†	NR†
060CB	060K-B	61,000	1700	.093	NR†	NR†
060KA	060K-B	55,000	1650	.093	10	9.5
060CC	060K-B	55,000	1650	.093	10	9.5

*DS5BX

†NR - No Rating

ACCESSORIES - Condensing Unit

Start Assist Kit - 912933

Provides additional starting torque for the compressor motor when operating with low line voltage or high operating temperatures.

913550 - High Pressure Switch kit

913551 - Low Pressure Switch kit

Cooling Operation

DS5BA-012K with B5BX-018/024K-A

O.D.T			85°F			95°F			105°F			115°F		
CFM	E.D.B.	E.W.B.	T.C.	S.C.	K.W.	T.C.	S.C.	K.W.	T.C.	S.C.	K.W.	T.C.	S.C.	K.W.
325	80	62	11.3	9.5	0.95	10.9	9.5	1.04	10.4	9.6	1.13	9.9	9.3	1.21
	80	67	12.0	7.7	0.98	11.9	7.7	1.06	11.4	7.5	1.15	10.8	7.3	1.23
	80	72	12.7	5.9	0.99	12.5	5.8	1.09	12.1	5.7	1.18	11.8	5.6	1.26
	75	63	11.5	7.6	0.95	11.0	7.5	1.04	10.5	7.3	1.13	10.0	7.1	1.21
425	80	62	11.7	10.7	1.01	11.5	10.8	1.09	11.1	11.1	1.18	10.6	10.6	1.27
	80	67	12.3	8.6	1.02	12.0	8.7	1.12	11.8	8.6	1.20	11.2	8.4	1.28
	80	72	12.9	6.3	1.04	12.7	6.4	1.14	12.4	6.3	1.23	11.8	6.2	1.31
	75	63	11.6	8.6	1.01	11.5	8.5	1.09	11.0	8.3	1.18	10.4	8.1	1.26
525	80	62	12.0	11.4	1.06	11.8	11.5	1.15	11.6	11.6	1.23	11.1	11.1	1.32
	80	67	12.4	9.3	1.07	12.2	9.5	1.16	11.8	9.6	1.25	11.4	9.4	1.33
	80	72	12.9	6.7	1.08	12.8	6.8	1.18	12.5	6.8	1.27	11.9	6.8	1.36
	75	63	11.8	9.4	1.05	11.7	9.5	1.14	11.2	9.3	1.22	10.6	9.0	1.31

DS5BA-018K with B5BX-018/024K-A

O.D.T			85°F			95°F			105°F			115°F		
CFM	E.D.B.	E.W.B.	T.C.	S.C.	K.W.	T.C.	S.C.	K.W.	T.C.	S.C.	K.W.	T.C.	S.C.	K.W.
575	80	62	62	14.9	1.63	15.9	14.6	1.72	14.8	14.0	1.80	13.7	13.4	1.88
	80	67	18.4	13.0	1.67	17.6	12.7	1.77	16.3	12.1	1.86	15.1	11.5	1.94
	80	72	20.3	10.7	1.73	19.6	10.4	1.84	18.3	9.9	1.93	17.0	9.4	2.01
	75	63	17.0	12.4	1.64	16.2	12.1	1.73	14.9	11.5	1.81	13.8	11.0	1.88
675	80	62	17.2	16.0	1.68	16.4	15.7	1.78	15.3	15.0	1.86	14.2	14.2	1.94
	80	67	18.9	13.9	1.72	18.0	13.5	1.83	16.7	12.9	1.91	15.4	12.4	1.99
	80	72	20.7	11.3	1.78	20.0	11.0	1.89	18.6	10.4	1.98	17.3	9.9	2.07
	75	63	17.4	13.3	1.69	16.5	12.9	1.78	15.3	12.3	1.86	14.1	11.8	1.93
775	80	62	17.7	16.9	1.73	16.8	16.5	1.83	15.6	15.6	1.91	14.7	14.7	2.00
	80	67	19.2	14.5	1.78	18.3	14.3	1.88	17.0	13.8	1.96	15.7	13.2	2.04
	80	72	21.0	11.8	1.83	20.2	11.5	1.94	18.8	11.0	2.03	17.5	10.5	2.12
	75	63	17.7	13.9	1.73	16.8	13.7	1.83	15.5	13.1	1.91	14.3	12.5	1.99

DS5BA-024K with B5BX-018/024K-A

O.D.T			85°F			95°F			105°F			115°F		
CFM	E.D.B.	E.W.B.	T.C.	S.C.	K.W.	T.C.	S.C.	K.W.	T.C.	S.C.	K.W.	T.C.	S.C.	K.W.
800	80	62	21.5	19.9	2.17	20.5	19.6	2.29	19.0	18.6	2.39	17.7	17.7	2.49
	80	67	23.5	17.3	2.24	22.5	16.8	2.37	20.7	16.1	2.46	19.2	15.4	2.57
	80	72	25.8	14.0	2.33	24.8	13.7	2.47	23.1	13.0	2.57	21.4	12.4	2.68
	75	63	21.7	16.6	2.18	20.7	16.1	2.30	19.0	15.3	2.39	17.6	14.6	2.48
900	80	62	22.0	20.9	2.23	20.9	20.4	2.35	19.3	19.3	2.44	18.1	18.1	2.56
	80	67	23.9	17.9	2.30	23.0	17.7	2.42	21.0	16.9	2.52	19.4	16.2	2.62
	80	72	26.2	14.6	2.38	25.2	14.3	2.52	23.3	13.6	2.63	21.6	13.0	2.74
	75	63	22.1	17.1	2.23	21.0	16.9	2.35	19.3	16.1	2.44	17.8	15.4	2.54
1000	80	62	22.4	21.6	2.28	21.2	21.2	2.40	19.8	19.8	2.51	18.6	18.6	2.62
	80	67	24.2	18.7	2.35	23.1	18.5	2.48	21.3	17.7	2.57	19.7	17.0	2.67
	80	72	26.4	15.1	2.43	25.4	14.8	2.58	23.5	14.1	2.68	21.8	13.5	2.80
	75	63	22.3	17.9	2.28	21.3	17.6	2.40	19.5	16.8	2.49	18.0	16.1	2.59

Cooling Operation

DS5BA-030K with B5BX-030/036K-A

O.D.T			85°F			95°F			105°F			115°F		
CFM	E.D.B.	E.W.B.	T.C.	S.C.	K.W.	T.C.	S.C.	K.W.	T.C.	S.C.	K.W.	T.C.	S.C.	K.W.
975	80	62	26.7	24.1	2.79	25.5	23.8	2.94	23.7	22.7	3.06	22.2	21.8	3.20
	80	67	29.4	20.9	2.89	28.2	20.5	3.05	26.0	19.5	3.17	24.3	18.7	3.32
	80	72	32.1	17.2	3.00	31.1	16.7	3.19	28.9	15.8	3.32	27.0	15.1	3.47
	75	63	27.2	20.1	2.80	26.0	19.7	2.96	23.9	18.6	3.08	22.3	17.8	3.21
1125	80	62	27.4	25.6	2.87	26.2	25.2	3.03	24.4	23.9	3.16	22.8	22.8	3.30
	80	67	29.9	22.2	2.97	28.6	21.6	3.14	26.5	20.7	3.26	24.7	20.0	3.41
	80	72	32.7	18.0	3.09	31.6	17.5	3.28	29.3	16.7	3.41	27.4	15.9	3.56
	75	63	27.7	21.3	2.89	26.4	20.7	3.04	24.4	19.8	3.16	22.7	19.0	3.30
1275	80	62	28.1	26.9	2.96	26.8	26.2	3.12	24.9	24.9	3.24	23.4	23.4	3.40
	80	67	30.4	23.1	3.06	29.1	22.8	3.22	26.9	21.9	3.35	25.0	21.1	3.49
	80	72	33.1	18.7	3.17	31.9	18.3	3.36	29.6	17.5	3.49	27.6	16.8	3.64
	75	63	28.2	22.1	2.97	26.9	21.8	3.12	24.7	20.9	3.24	23.0	20.0	3.38

DS5BA-036(K,C) with B5BX-030/036K-A

O.D.T			85°F			95°F			105°F			115°F		
CFM	E.D.B.	E.W.B.	T.C.	S.C.	K.W.	T.C.	S.C.	K.W.	T.C.	S.C.	K.W.	T.C.	S.C.	K.W.
1050	80	62	32.8	30.3	3.42	31.3	29.8	3.58	28.9	28.2	3.71	26.9	26.9	3.86
	80	67	35.7	26.3	3.54	34.2	25.6	3.71	31.4	24.4	3.84	29.2	23.5	4.00
	80	72	38.9	21.4	3.67	37.6	20.8	3.88	34.8	19.7	4.02	32.5	18.9	4.19
	75	63	33.1	25.3	3.43	31.5	24.5	3.60	28.9	23.3	3.71	26.8	22.3	3.86
1200	80	62	33.4	31.7	3.51	31.9	31.0	3.68	29.3	29.3	3.80	27.6	27.6	3.97
	80	67	36.3	27.2	3.62	34.6	26.9	3.80	31.8	25.7	3.92	29.6	24.8	4.08
	80	72	39.5	22.2	3.76	38.0	21.7	3.96	35.2	20.6	4.10	32.8	19.7	4.28
	75	63	33.7	26.1	3.52	32.0	25.7	3.68	29.3	24.5	3.80	27.2	23.5	3.94
1350	80	62	34.1	32.9	3.60	32.2	32.2	3.75	30.0	30.0	3.89	28.3	28.3	4.07
	80	67	36.8	28.4	3.70	35.1	28.1	3.88	32.2	26.9	4.01	29.9	25.9	4.17
	80	72	39.9	23.0	3.84	38.4	22.6	4.04	35.5	21.5	4.18	33.0	20.6	4.36
	75	63	34.1	27.2	3.60	32.4	26.9	3.76	29.7	25.6	3.88	27.5	24.5	4.03

DS5BA-042K with B5BX-042/048K-B

O.D.T			85°F			95°F			105°F			115°F		
CFM	E.D.B.	E.W.B.	T.C.	S.C.	K.W.	T.C.	S.C.	K.W.	T.C.	S.C.	K.W.	T.C.	S.C.	K.W.
1250	80	62	37.9	35.3	3.91	36.2	34.7	4.11	33.7	33.0	4.28	31.5	31.5	4.47
	80	67	41.2	30.7	4.03	39.5	29.9	4.25	36.7	28.7	4.42	34.1	27.6	4.62
	80	72	45.0	24.8	4.17	43.5	24.3	4.42	40.6	23.2	4.62	37.9	22.2	4.82
	75	63	38.2	29.1	3.92	36.5	28.6	4.12	33.8	27.4	4.29	31.4	26.3	4.47
1400	80	62	38.7	36.8	4.00	36.9	36.0	4.20	34.3	34.3	4.37	32.3	32.3	4.58
	80	67	41.9	31.6	4.11	40.0	31.3	4.33	37.2	30.1	4.51	34.6	29.0	4.70
	80	72	45.5	25.7	4.25	44.0	25.2	4.50	41.0	24.1	4.70	38.3	23.1	4.90
	75	63	38.8	30.3	4.00	37.0	29.9	4.21	34.2	28.7	4.37	31.8	27.5	4.56
1550	80	62	39.3	38.0	4.08	37.3	37.3	4.28	35.1	35.1	4.48	33.0	33.0	4.69
	80	67	42.4	32.9	4.19	40.5	32.6	4.42	37.5	31.4	4.59	34.9	30.3	4.78
	80	72	46.0	26.6	4.33	44.4	26.2	4.58	41.4	25.1	4.78	38.5	24.1	4.99
	75	63	39.2	31.5	4.08	37.4	31.1	4.29	34.6	29.9	4.45	32.1	28.6	4.64

Cooling Operation

DS5BA-048(K,C) with B5BX-042/048K-B

O.D.T			85°F			95°F			105°F			115°F		
CFM	E.D.B.	E.W.B.	T.C.	S.C.	K.W.	T.C.	S.C.	K.W.	T.C.	S.C.	K.W.	T.C.	S.C.	K.W.
1250	80	62	42.9	37.9	4.35	41.7	37.7	4.75	39.0	36.4	5.17	37.3	35.4	5.68
	80	67	46.4	32.7	4.45	45.2	32.4	4.87	42.2	30.9	5.29	40.4	30.1	5.81
	80	72	50.1	26.7	4.57	49.1	26.2	5.03	45.9	25.0	5.44	44.0	24.2	5.98
	75	63	43.4	31.8	4.36	42.2	31.1	4.77	39.4	29.8	5.18	37.7	29.0	5.69
1450	80	62	44.0	40.5	4.46	42.7	40.2	4.87	40.0	38.7	5.29	38.3	37.4	5.79
	80	67	47.3	34.4	4.56	46.0	34.2	4.98	43.0	33.0	5.41	41.1	32.1	5.92
	80	72	51.0	28.0	4.69	49.9	27.6	5.14	46.7	26.4	5.56	44.6	25.6	6.09
	75	63	44.3	33.3	4.47	43.1	33.1	4.88	40.2	31.8	5.29	38.3	30.9	5.80
1650	80	62	44.9	42.6	4.57	43.6	42.2	4.99	40.5	40.5	5.39	38.9	38.9	5.91
	80	67	48.0	36.3	4.67	46.7	36.2	5.10	43.6	35.0	5.52	41.6	34.1	6.03
	80	72	51.7	29.3	4.79	50.5	28.9	5.25	47.3	27.7	5.67	45.1	26.9	6.20
	75	63	45.0	35.0	4.57	43.7	34.9	4.99	40.7	33.6	5.40	38.8	32.7	5.91

DS5BA-060KA(CC) with B5BX-060K-B

O.D.T			85 °F			95 °F			105 °F			115 °F		
CFM	E.D.B.	E.W.B.	T.C.	S.C.	K.W.	T.C.	S.C.	K.W.	T.C.	S.C.	K.W.	T.C.	S.C.	K.W.
1500	80	62	54.3	46.3	5.15	52.7	45.8	5.66	50.2	44.8	6.19	45.6	42.9	6.91
	80	67	55.9	36.7	5.19	54.4	36.1	5.70	51.8	35.1	6.22	47.2	33.2	6.95
	80	72	57.6	27.0	5.23	56.0	26.4	5.73	53.5	25.4	6.26	48.9	23.5	6.99
	75	63	52.5	36.0	5.13	50.9	35.4	5.64	48.4	34.4	6.16	43.8	32.6	6.89
1590	80	62	54.9	47.6	5.19	53.3	47.0	5.70	50.8	46.0	6.22	46.2	44.1	6.95
	80	67	56.6	37.9	5.23	55.0	37.3	5.74	52.4	36.3	6.24	47.8	34.4	7.01
	80	72	58.2	28.2	5.26	56.7	27.6	5.77	54.1	26.6	6.30	49.5	24.7	7.02
	75	63	53.1	37.2	5.16	51.6	36.6	5.67	49.0	35.6	6.20	44.4	33.8	6.92
1650	80	62	55.4	48.3	5.26	53.8	47.7	5.76	51.3	46.7	6.29	46.7	44.9	7.02
	80	67	57.0	38.6	5.29	55.2	38.5	5.81	52.6	37.5	6.42	48.2	35.2	7.04
	80	72	58.7	28.9	5.33	57.1	28.4	5.84	54.6	27.4	6.36	50.0	25.5	7.09
	75	63	53.6	38.0	5.23	52.0	37.4	5.74	49.5	36.4	6.26	44.9	34.5	6.99

ADDITIONAL INFORMATION FOR 1 TON AND 5 TON EXPORT UNITS

ORIFICE SIZES AND SYSTEM CHARGES

MODEL NUMBER	RESTRICTOR SIZE (IN.)	SYSTEM CHARGE R-22 (OZ.)
DS5BX-012K	0.047	55
DS5BX-060K(CB)	0.090	105

REFRIGERANT CHARGING CHARTS

(Note: All pressures are listed in psig. and all temperatures in degrees Fahrenheit.)

- Discharge temperatures greater than charted values indicate a refrigerant undercharge.
- Shaded Boxes indicate flooded conditions.
- Rated Design Values. Suction Pressure will be lower than design value if indoor air flow entering dry bulb, or entering wet bulb temperatures are lower than design.

1 Ton A/C

		OUTDOOR TEMPERATURE (°F)															
		70		75		80		85		90		95		100		105	
S.P.	L.P.	D.T.	L.P.	D.T.	L.P.	D.T.	L.P.	D.T.	L.P.	D.T.	L.P.	D.T.	L.P.	D.T.	L.P.	D.T.	
70																	
72	200	144															
74	202	156	215	153	227	153											
76	203	169	217	164	230	161	242	161									
78	204	179	219	173	233	170	246	169	258	168							
80	205	180	221	184	235	179	249	177	262	175	274	175					
82			223	194	238	186	252	184	266	183	278	181	290	181			
84					241	209	254	190	268	188	282	188	294	187	306	187	
86									271	193	285	192	298	193	311	193	
88											288	197	301	197	315	197	
90													304	201	318	201	
92															321	204	
94																	

5 Ton A/C

		OUTDOOR TEMPERATURE (°F)															
		70		75		80		85		90		95		100		105	
S.P.	L.P.	D.T.	L.P.	D.T.	L.P.	D.T.	L.P.	D.T.	L.P.	D.T.	L.P.	D.T.	L.P.	D.T.	L.P.	D.T.	
66	219	163															
68	220	175	233	170	246	167											
70	221	188	236	180	248	176	261	176									
72	223	204	238	190	251	184	264	180	276	178	288	175					
74	224	219	239	201	254	193	267	188	280	185	292	182	303	180			
76			241	211	256	200	270	195	283	192	296	189	308	186	317	184	
78					258	208	272	201	286	197	299	194	312	192	324	190	
80							275	207	289	202	302	199	315	197	327	196	
82									291	207	305	203	318	201	332	199	
84											308	208	321	205	335	203	
86													324	209	337	206	
88														204	340	210	
90																	



Westinghouse products are manufactured and distributed by NORDYNE.

GENERAL TERMS OF LIMITED WARRANTY

NORDYNE will furnish a replacement for any part of this product which fails in normal use and service within the first year of installation, in accordance with the terms of the warranty.

For complete details of the Limited Warranty, including applicable terms and conditions, see your local installer or contact the NORDYNE warranty department for a copy.



8000 Phoenix Parkway | O'Fallon, MO 63368-3827

Specifications and illustrations subject to change without notice and without incurring obligations. Printed in U.S.A (05/2010)

388C-0510 (Replaces 388C-0609)

and Westinghouse are trademarks of Westinghouse Electric Corporation and used under license to NORDYNE.